

EWAN RECTANGULAR ABOVE COUNTER BASIN

Cat. No
5-323



Back-view

Features:

- ▶ Seamless concrete construction
- ▶ Above counter basin
- ▶ Mold casted basin is finished by hand
- ▶ Pre-drilled single faucet hole
- ▶ 3 Layer coating provides waterproof basin that guards against cracking or scratching
- ▶ 1/4" Rim
- ▶ No overflow
- ▶ Available in 3 colors
- ▶ To be used with Grid Drain # 5601 or Umbrella Drain #UD701 (Not included)

Colors:

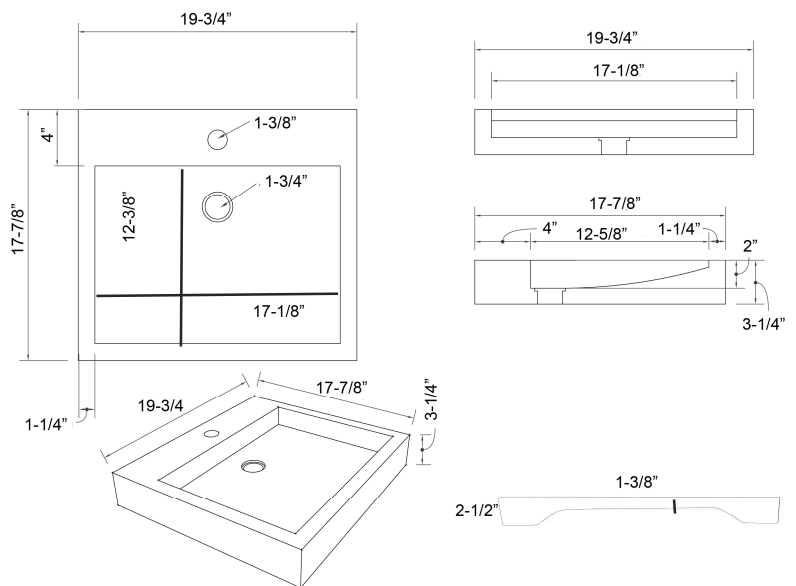
- CGC** Copper Green
CDG Dusk Gray
CVB Vintage Brown

Top Dimension: 19-3/4" x 17-7/8"
 Bottom Dimension: 19-3/4" x 17-7/8"

Above counter height: 3-1/4"

Interior Dimensions:

Basin Interior: 17-1/4" x 12-1/2"
 Basin Depth: 2"



Dimensions of fixture are nominal and may vary slightly. Dimensions and specifications subject to change without notice.